



Producer: **Copeland**

Line: **ZF**

Model: **ZF13K4E-TFD**

Cooling capacity [kW]: **6.56**

Displacement [m<sup>3</sup>/h]: **11.7**

Refrigerant: **R22, R404A, R407A, R407F, R448A, R449A**

Capacity control: **None**

Power supply: **400V/3Ph/50Hz**

## Data

### Technical data

Displacement	[m <sup>3</sup> /h]	11.7
Oil charge	[l]	1.90
Oil type		POE RL32-3MAF
Internal free volume	[dm <sup>3</sup> ]	6.1
Net weight	[kg]	38.00
Gross weight	[kg]	41.00

### Electrical data and limits

Power supply		400V/3Ph/50Hz
Maximum continuous current	[A]	8.0
Locked rotor amperage	[A]	51.5
Motor resistance main	[Ω]	3.64
Maximum suction pressure	[bar]	21.0
Maximum discharge pressure	[bar]	28.8
Maximum suction temperature	[°C]	50.0

### Dimensions

Suction connection thread diameter	[inch]	1 1/4
Discharge connection thread diameter	[inch]	1
Length	[mm]	246
Height	[mm]	442
Width	[mm]	251

### Other

Approved refrigerants	R22, R404A, R407A, R407F, R448A, R449A
Allowed oil types	POE RL32-3MAF, POE MOBIL EAL Arctic 22 CC
Capacity control	None
Protection rating	IP21 (IEC34)

## Performance

Nominal conditions: refrigerant: R404A, evaporation: -10°C (dew point), condensation: 45°C (dew point), superheating: 10K, subcooling: 0°C

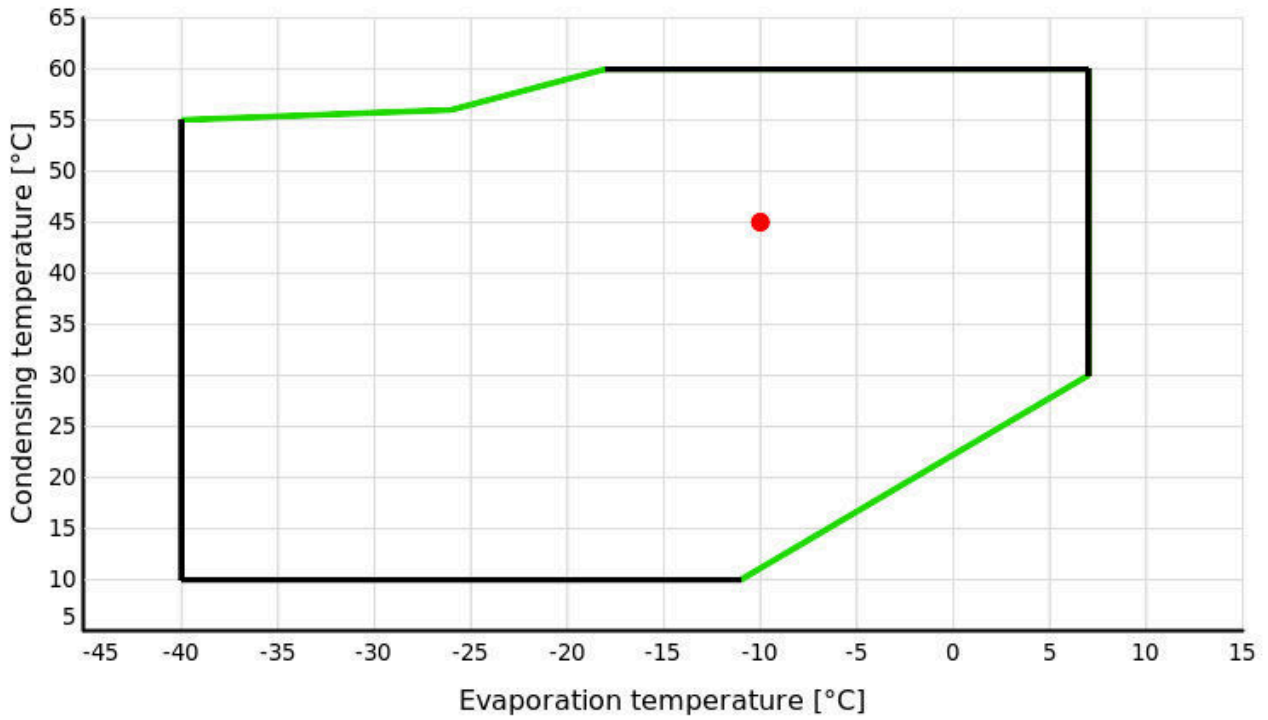
### Cooling capacity

		Evaporation temperature [°C]										
		-40	-35	-30	-25	-20	-15	-10	-5	0	5	7
Condensation temperature [°C]	10	2.84	3.67	4.63	5.77	7.08	8.58					
	15	2.66	3.45	4.39	5.48	6.75	8.20	9.87				
	20	2.48	3.24	4.13	5.18	6.39	7.80	9.40	11.22			
	25	2.31	3.03	3.87	4.86	6.02	7.36	8.90	10.66	12.64		
	30	2.14	2.81	3.60	4.53	5.63	6.90	8.37	10.05	11.96	14.11	15.04
	35	1.98	2.59	3.32	4.19	5.21	6.41	7.80	9.40	11.23	13.30	14.20
	40	1.82	2.37	3.03	3.83	4.78	5.89	7.20	8.71	10.45	12.44	13.30
	45	1.67	2.15	2.74	3.46	4.32	5.35	<b>6.56</b>	7.98	9.63	11.52	12.35
	50	1.51	1.92	2.43	3.07	3.84	4.77	5.89	7.21	8.75	10.55	11.34
	55	1.35	1.69	2.12	2.66	3.34	4.17	5.18	6.39	7.83	9.52	10.27
	60						3.54	4.43	5.53	6.85	8.43	9.14


### Power consumption

		Evaporation temperature [°C]										
		-40	-35	-30	-25	-20	-15	-10	-5	0	5	7
Condensation temperature [°C]	10	1.32	1.37	1.44	1.54	1.65	1.78					
	15	1.44	1.49	1.56	1.65	1.76	1.88	2.03				
	20	1.56	1.62	1.69	1.77	1.88	2.00	2.15	2.31			
	25	1.71	1.76	1.83	1.92	2.02	2.14	2.28	2.44	2.62		
	30	1.87	1.93	2.00	2.09	2.19	2.30	2.44	2.59	2.76	2.95	3.03
	35	2.06	2.12	2.19	2.28	2.37	2.49	2.62	2.76	2.93	3.11	3.19
	40	2.27	2.33	2.41	2.49	2.59	2.70	2.83	2.97	3.13	3.30	3.38
	45	2.51	2.58	2.65	2.74	2.84	2.95	<b>3.07</b>	3.21	3.36	3.52	3.60
	50	2.78	2.85	2.93	3.02	3.12	3.23	3.35	3.48	3.62	3.78	3.85
	55	3.08	3.16	3.24	3.33	3.43	3.54	3.66	3.79	3.93	4.08	4.15
	60						3.90	4.01	4.14	4.28	4.42	4.49

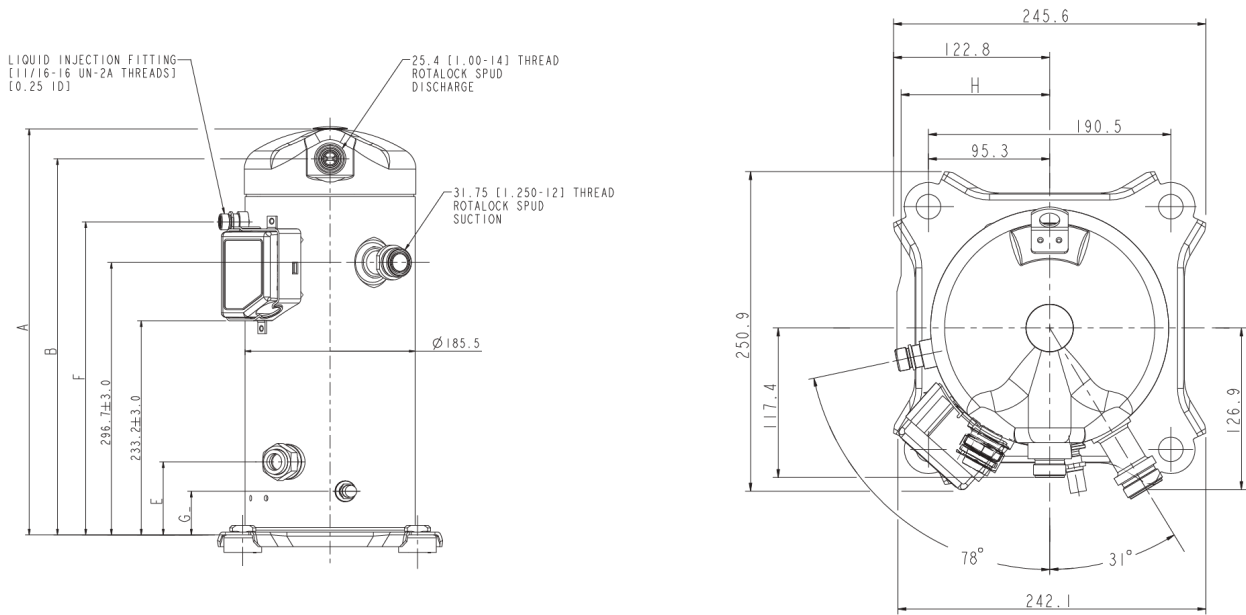
Application range



Legend

 Suction gas temperature: 25°C, liquid injection

## Dimensions



## Dimensions

Dimension A	[mm]	442
Dimension B	[mm]	409,6
Dimension E	[mm]	79,5
Dimension F	[mm]	340,9
Dimension G	[mm]	47,5
Dimension H	[mm]	120,2